
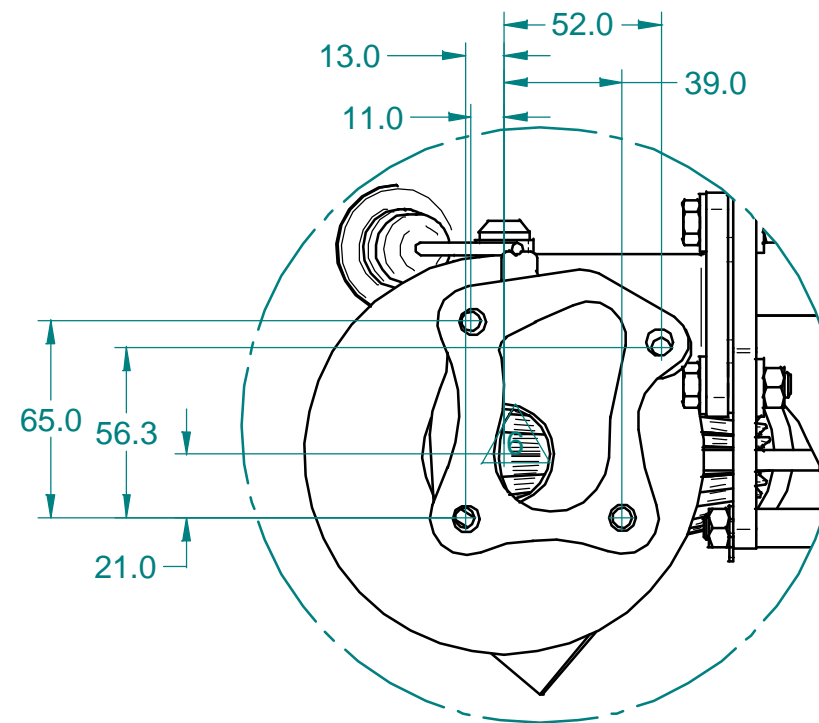
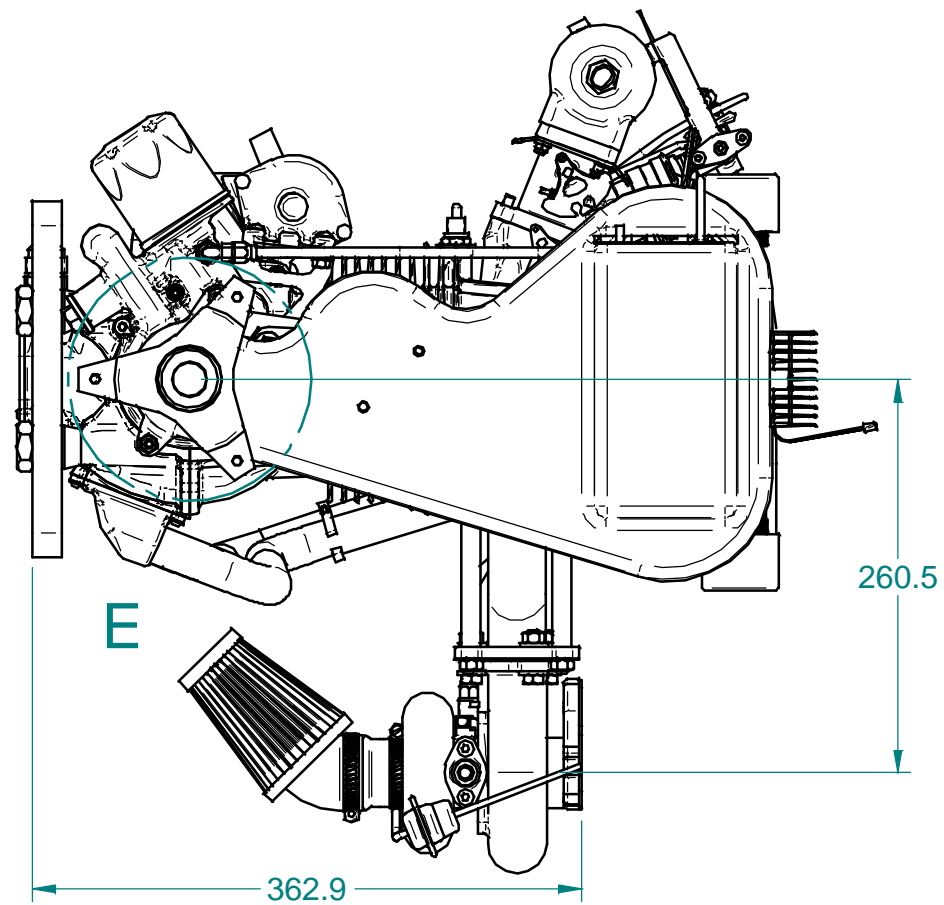
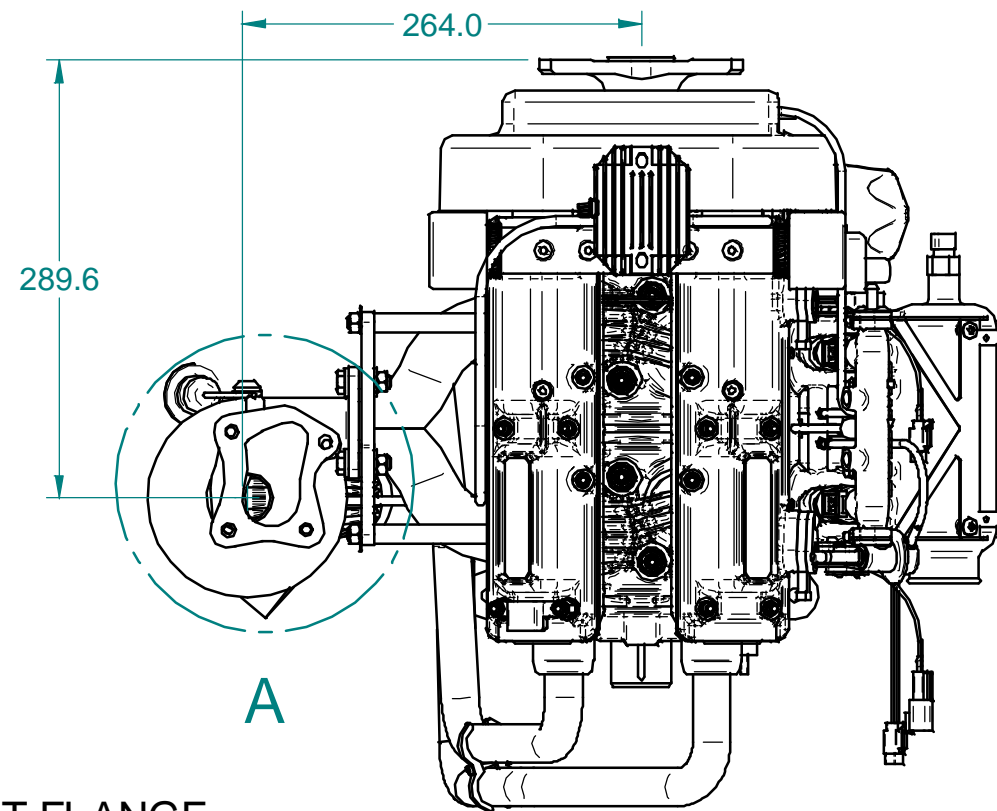
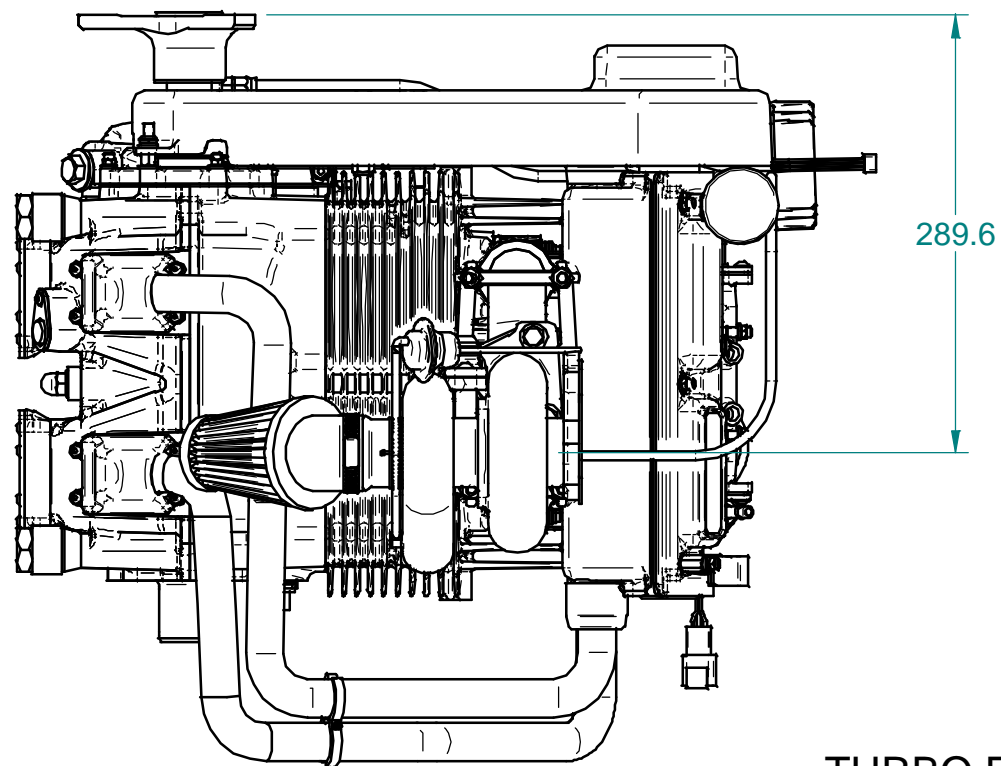
	NAME OF DRAWING:		All dimensions reference All dimensions in mm (Unless otherwise stated)		
	800, AeroTwin Helicopter Interface Dimensions			Third Angle Projection: 	
	Name of Model: Z:\AeroTwin\Eng as Part\800, AeroTwin Heli Interface Dimensions.dft	Drawing No.: 800		Sheet Size: A3 Sht: 1 of 5	
	Drawn by: PJM	Revision Description: Redrawn based on Generic engine updates		Rev 04, 13 Oct 06 Date: 09 Dec 04	
Ckd by: Bill White					



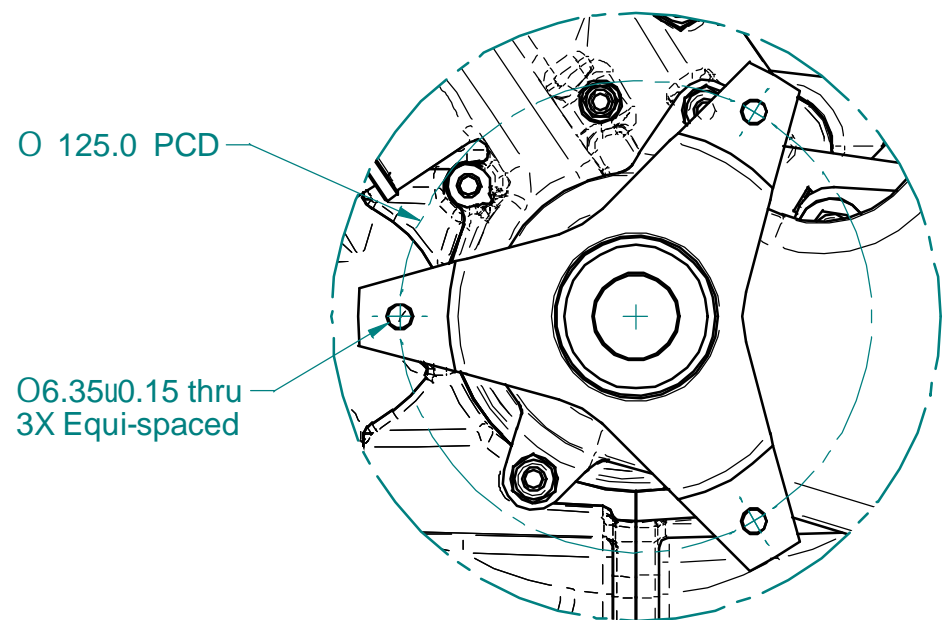
DETAIL A
TURBO EXHAUST OUTLET FLANGE



TURBO EXHAUST OUTLET FLANGE

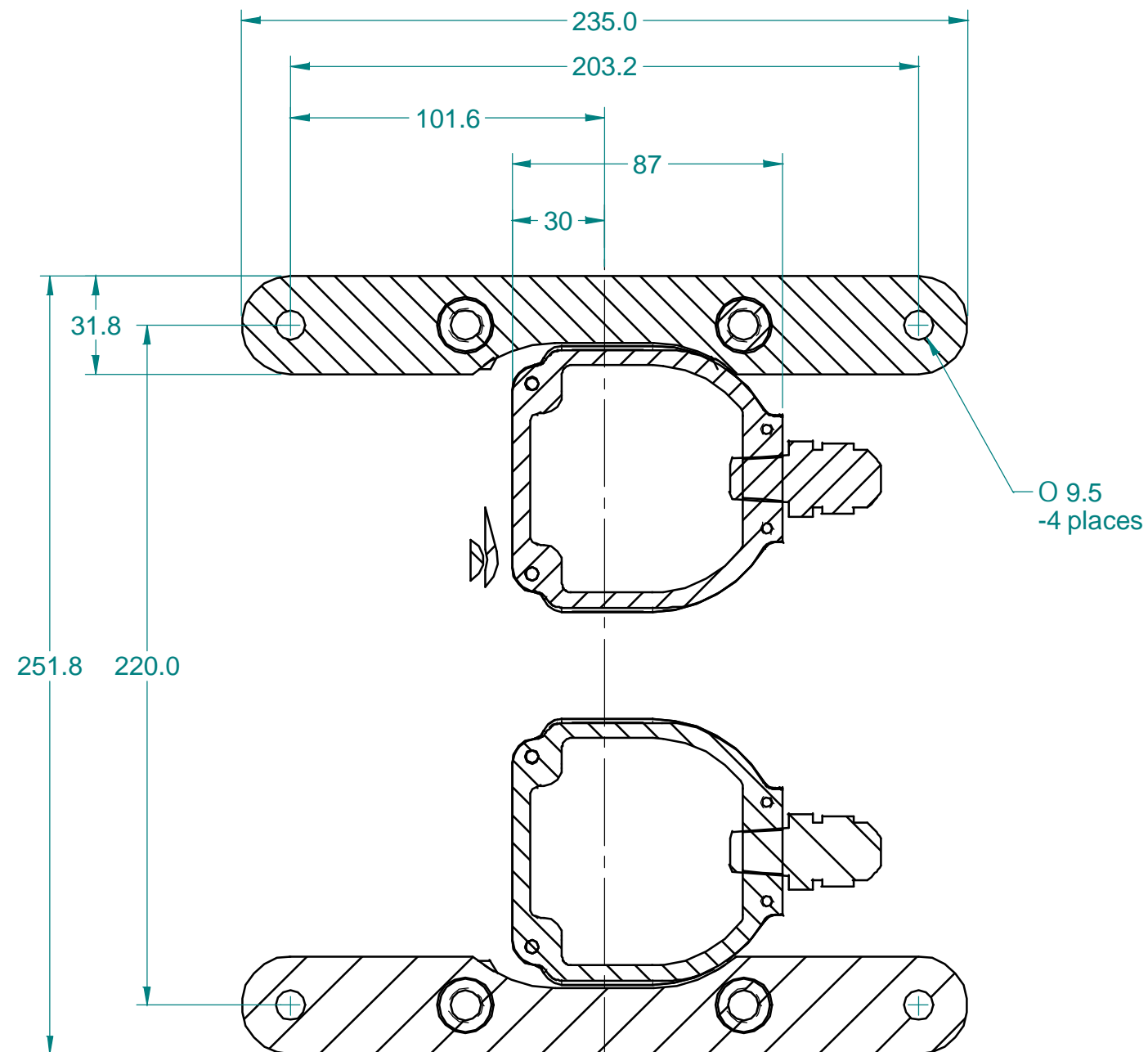


NAME OF DRAWING:		All dimensions reference All dimensions in mm (Unless otherwise stated)
800, AeroTwin Helicopter Interface Dimensions		
Name of Model:	Z:\AeroTwin\Eng as Part\800, AeroTwin Heli Interface Dimensions.dft	Third Angle Projection:
Drawn by:	PJM	Sheet Size: A3 Sht: 2 of 5
Ckd by:	Bill White	Revision Description: Re drawn based on Generic engine updates
		Rev 04, 13 Oct 06 Date: 09 Dec 04




DETAIL E

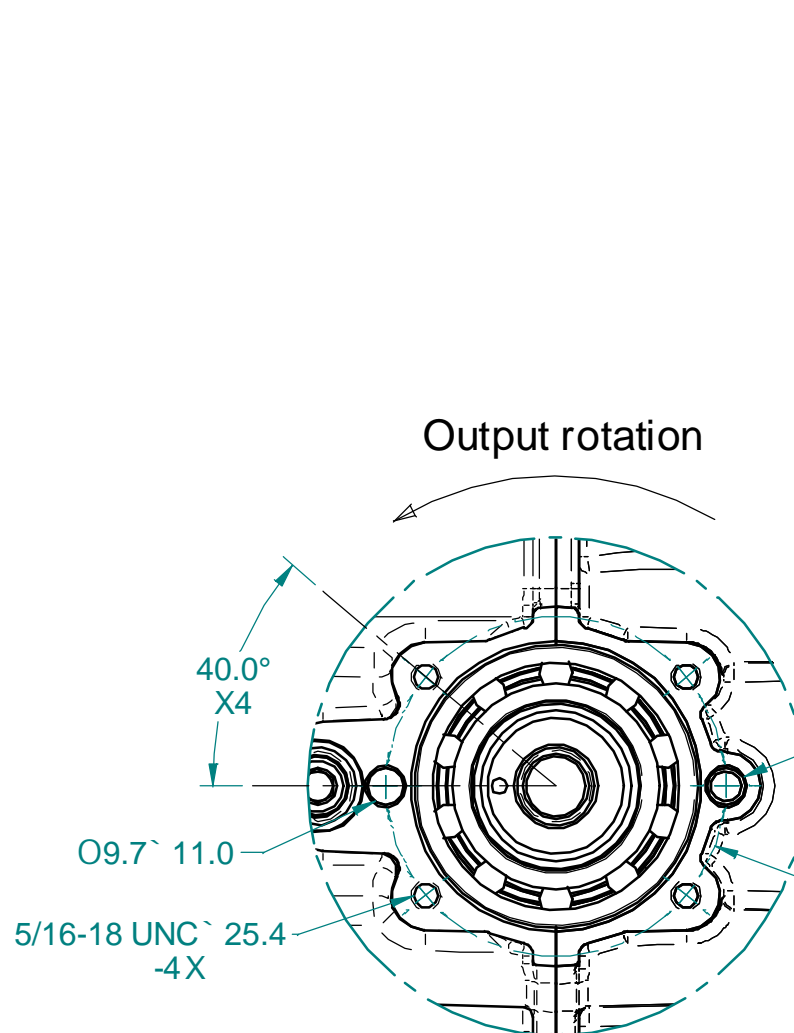
OUTPUT FLANGE



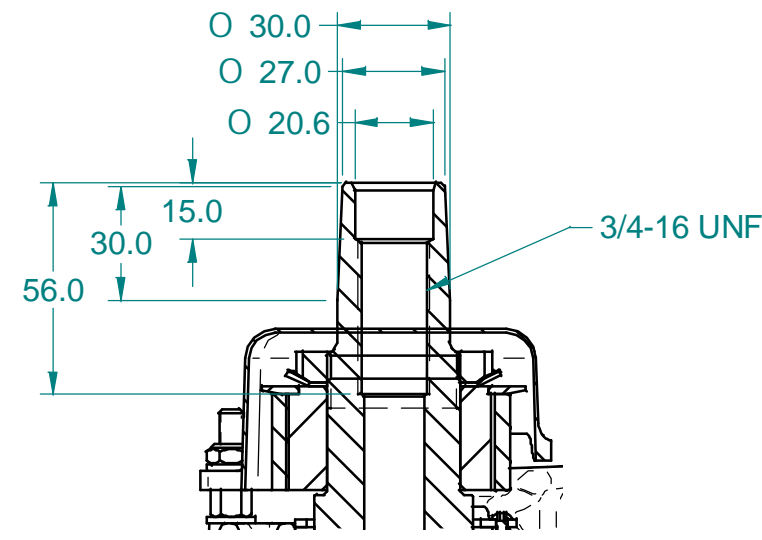
SECTION B-B

ENGINE MOUNT FOOT PRINT

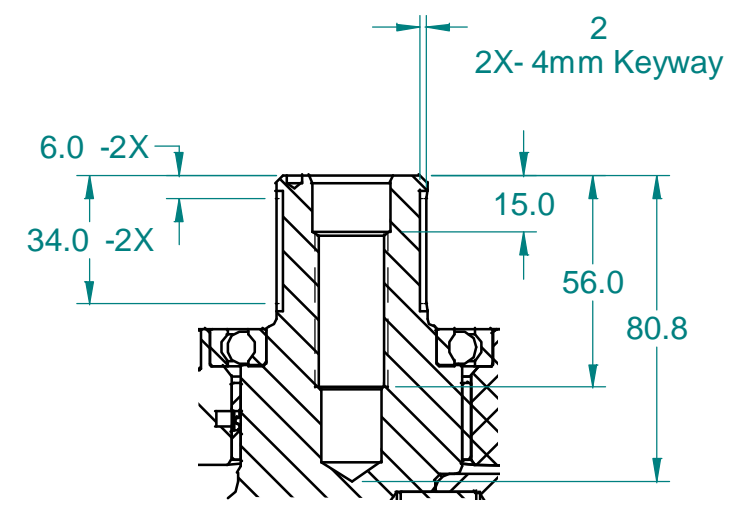
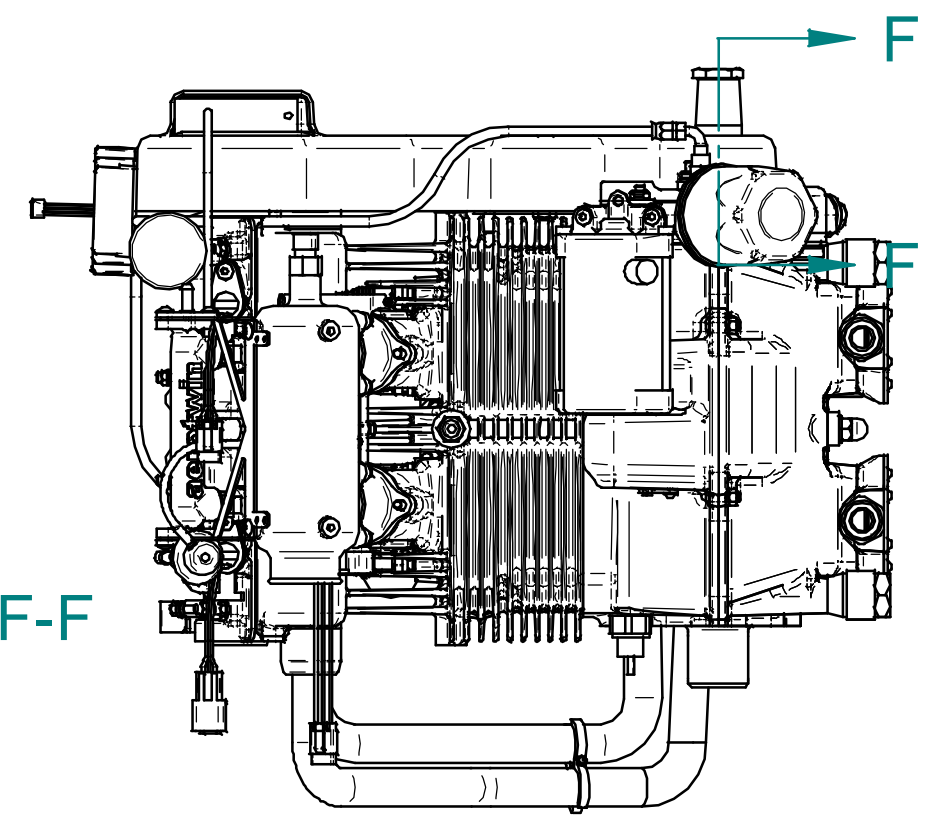
	NAME OF DRAWING:		800, AeroTwin Helicopter Interface Dimensions	All dimensions reference All dimensions in mm (Unless otherwise stated)
	Name of Model: Z:\AeroTwin\Eng as Part\800, AeroTwin Heli Interface Dimensions.dft			
	Drawn by: PJM	Drawing No.: 800	Sheet Size: A3 Sht: 3 of 5	
	Ckd by: Bill White	Revision Description: Redrawn based on Generic engine updates		Rev 04, 13 Oct 06



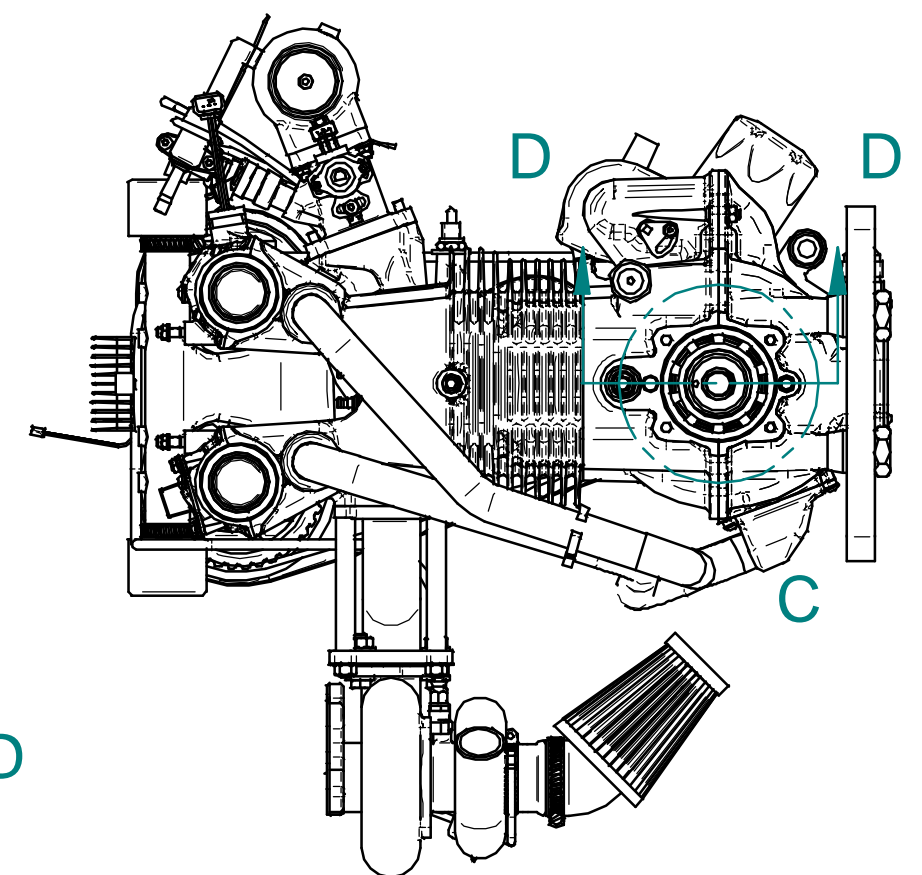
GEARBOX INTERFACE DETAIL C



OUTPUT INTERFACE SECTION F-F



OUTPUT INTERFACE SECTION D-D



	NAME OF DRAWING:		All dimensions reference All dimensions in mm (Unless otherwise stated)
	800, AeroTwin Helicopter Interface Dimensions		
	Name of Model: Z:\AeroTwin\Eng as Part\800, AeroTwin Heli Interface Dimensions.dft		
	Third Angle Projection:		
Drawn by: PJM		Drawing No.: 800	Sheet Size: A3
Ckd by: Bill White		Revision Description: Redrawn based on Generic engine updates	Sht: 4 of 5
		Rev 04, 13 Oct 06	Date: 09 Dec 04

